

NOTE MAXIMUM MONITOR SIZE  
 WIDTH 21 1/4"W  
 HEIGHT 13 1/2"H  
 WHEN MONITOR IS PULLED ALL  
 THE WAY FORWARDS YOU HAVE  
 14" OF USABLE WORK SURFACE

**PROPRIETARY AND CONFIDENTIAL**

THE INFORMATION CONTAINED IN THIS DRAWING IS THE SOLE PROPERTY OF COMPUTER COMFORTS INC. ANY REPRODUCTION IN PART OR AS A WHOLE WITHOUT THE WRITTEN PERMISSION OF COMPUTER COMFORTS INC. IS PROHIBITED.



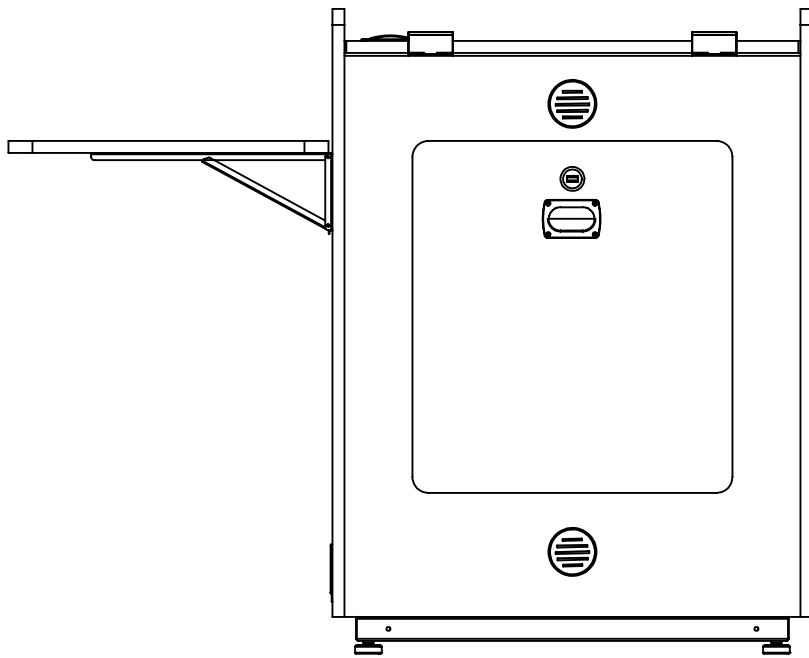
**COMPUTER COMFORTS INC.**

367 COLUMBIA  
 MEMORIAL PKWY.  
 KEMAH, TX 77565  
 281-535-2288

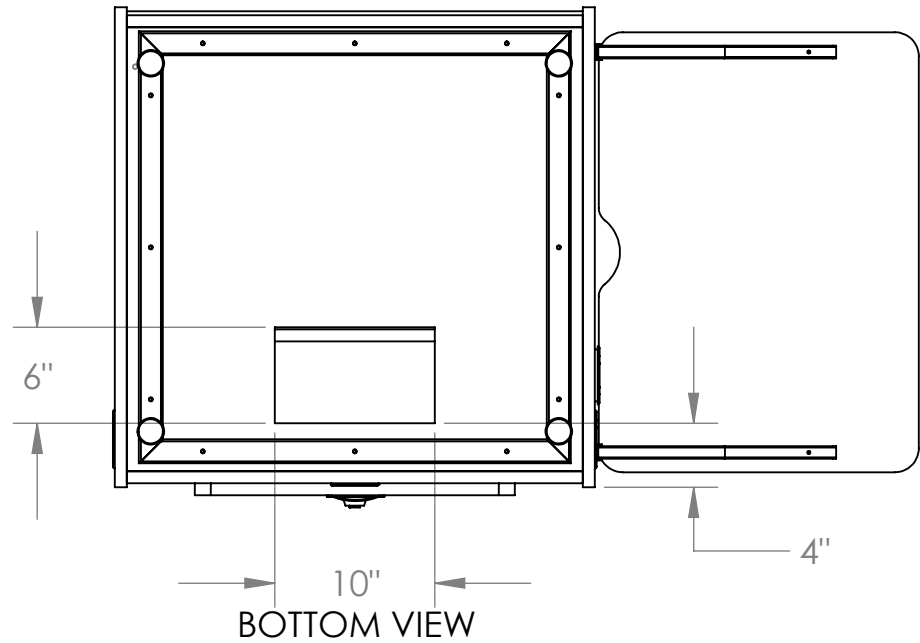
DRAWN BY	SAB
DATE	4-21-14
DO NOT SCALE DRAWING	

DIMENSIONS ARE IN INCHES	
TOLERANCES:	
FRACTIONAL	± 1/32
ANGULAR: BEND	± 1°
ONE PLACE DECIMAL	± .02
TWO PLACE DECIMAL	± .01
THREE PLACE DECIMAL	± .005

PART DESCRIPTION	ULS-1-HA
PART#	



BACK VIEW



BOTTOM VIEW

**PROPRIETARY AND CONFIDENTIAL**

THE INFORMATION CONTAINED IN THIS DRAWING IS THE SOLE PROPERTY OF COMPUTER COMFORTS INC. ANY REPRODUCTION IN PART OR AS A WHOLE WITHOUT THE WRITTEN PERMISSION OF COMPUTER COMFORTS INC. IS PROHIBITED.



**COMPUTER COMFORTS INC.**

367 COLUMBIA  
MEMORIAL PKWY.  
KEMAH, TX 77565  
281-535-2288

DRAWN BY	SAB
DATE	4-21-14
DO NOT SCALE DRAWING	

DIMENSIONS ARE IN INCHES  
TOLERANCES:  
FRACTIONAL  $\pm 1/32$   
ANGULAR: BEND  $\pm 1^\circ$   
ONE PLACE DECIMAL  $\pm .02$   
TWO PLACE DECIMAL  $\pm .01$   
THREE PLACE DECIMAL  $\pm .005$

PART DESCRIPTION  
**ULS-1-HA**

PART#